



6FT ADJUSTABLE HEIGHT WORKBENCH

Assembly Instructions

WORKBENCH SAFETY

Your safety and the safety of others are important.

We have provided many important safety messages in this document and on your work bench. Always read and obey all safety messages.



This is the safety alert symbol.

This symbol alerts you to potential hazards that can kill or hurt you and others.

All safety messages will follow the safety alert symbol and either the word "DANGER" or "WARNING."

These words mean:

 **WARNING**

You can be killed or seriously injured if you don't follow instructions.

All safety messages will tell you what the potential hazard is, tell you how to reduce the chance of injury, and tell you what can happen if the instructions are not followed.

USE & CARE

- This product is intended for indoor use only.
- Maximum weight limit is 3000 lbs (1360 kg) for the workbench.
- To clean wipe with a damp cloth and dry immediately.

SCAN FOR



ASSEMBLY VIDEO



BEWARE OF TIPPING



KEEP DRY



KEEP AWAY FROM FIRE



WEAR SAFETY GLOVES

ASSEMBLY INSTRUCTIONS

FOLDED SIZE: 36in X 25in X 9in

UNFOLDED SIZE: 72in X 25in X 40.7in

1. Remove workbench from packaging. Stand vertically on edge as shown.



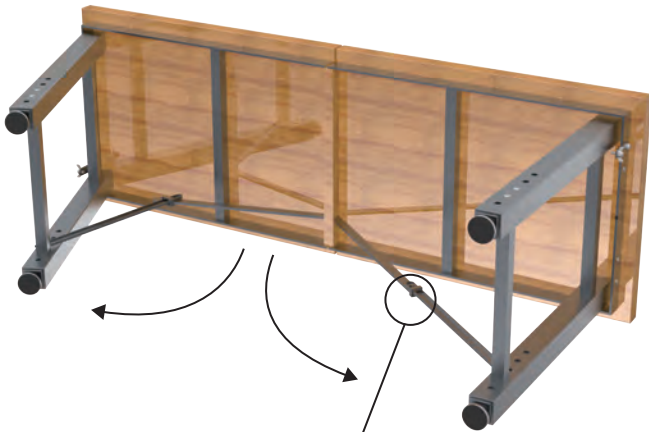
2. Unscrew the wing screws to change the locking bar from the LOCK POSITION to the OPEN POSITION, and unfold the workbench.

LOCK POSITION

OPEN POSITION

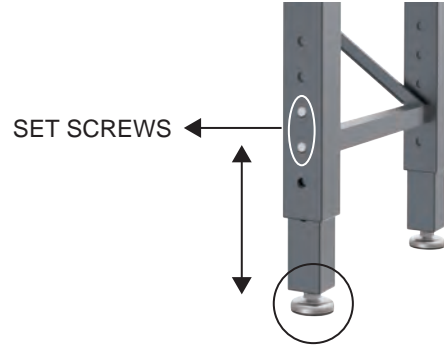


3. Unfold the legs, and slide the locking buckle to position as shown.



LOCKING BUCKLE

4. The workbench is set to a 40" height. Should you desire to raise the height, remove the set screws, and raise to desired height. Repeat process for all four legs.



To level your workbench, adjust levelers accordingly.

5. Stand up the workbench.



6. Dispose of / recycle all packaging materials.

LIFETIME LIMITED WARRANTY

For the life of the product, when the cabinet is used and maintained according to the instructions attached to or furnished with the product, Armadillo™ will pay for replacement or repair of the defective product or parts to correct defects in materials or workmanship.

Armadillo™ will not pay for:

1. Service calls to correct the installation of any Armadillo™ products or to instruct you on how to use or install them.
2. Damage resulting from improper handling or shipping of products, or products damaged by accident, misuse, abuse, fire, flood, improper installation, acts of God, neglect, corrosion, modification or mishandling.
3. Shipping or freight fees to deliver replacement products or to return defective products.
4. Repairs or replacement when your product is used in other than normal, single-family household use, such as a commercial environment or handled in any way inconsistent with the installation instructions included with the product.
5. Cosmetic damage including scratches, dings, dents or cracks that do not affect the structural or functional capability of the product.
6. Replacement parts or product for Armadillo™ products operated outside the United States or Canada.
7. In Canada, travel or transportation expenses for customers who reside in remote areas.
8. Any labor costs during the limited warranty period.
9. Damage resulting from improper loading beyond the specified maximum weight capacity outlined in the assembly instructions provided with the product.
10. Surfaces damaged due to chemical interaction resulting in corrosion of paint or metal.
11. Replacement keys or locking mechanism.
12. Loss of product contents due to theft, fire, flood, accident or acts of God.

DISCLAIMER OF IMPLIED WARRANTIES; LIMITATION OF REMEDIES

IMPLIED WARRANTIES, INCLUDING TO THE EXTENT APPLICABLE WARRANTIES OF MERCHANTABILITY OR FITNESS FOR A PARTICULAR PURPOSE, ARE EXCLUDED TO THE EXTENT LEGALLY PERMISSIBLE. ANY IMPLIED WARRANTIES THAT MAY BE IMPOSED BY LAW ARE LIMITED TO ONE YEAR, OR THE SHORTEST PERIOD ALLOWED BY LAW. SOME STATES AND PROVINCES DO NOT ALLOW LIMITATIONS OR EXCLUSIONS ON HOW LONG AN IMPLIED WARRANTY OF MERCHANTABILITY OR FITNESS LASTS, SO THE ABOVE LIMITATIONS OR EXCLUSIONS MAY NOT APPLY TO YOU. THIS WARRANTY GIVES YOU SPECIFIC LEGAL RIGHTS, AND YOU MAY ALSO HAVE OTHER RIGHTS, WHICH VARY FROM STATE TO STATE OR PROVINCE TO PROVINCE.

Outside the 50 United States and Canada, this warranty does not apply. Please contact your authorized Armadillo™ dealer to determine if another warranty applies. If you need service, call the Armadillo Experience Team at **1.888.350.7306** (toll-free), from anywhere in the U.S.A. or submit you claim via the web form located at www.amradillotough.com.

Keep this page and your sales slip (receipt) together for future reference. You must provide proof of purchase or installation date for in-warranty service.

Write down the following information about your Armadillo cabinet to better help you obtain assistance or service if you ever need it. You will need to know your complete model number and serial number. You can find this information on the model and serial label located on the back of the product.

Dealer name _____
Address _____
Phone number _____
Model number _____
Serial number _____
Purchase date _____



Proudly Engineered in the USA
Made in China
V6WB512017

